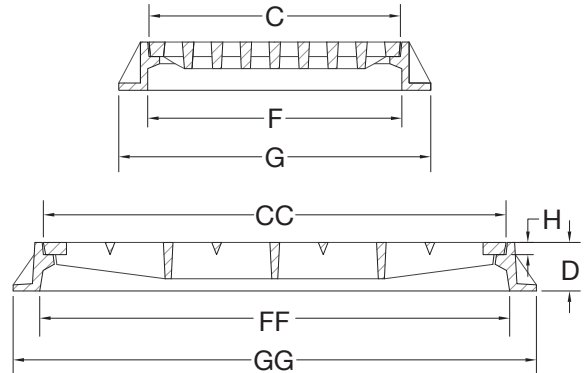
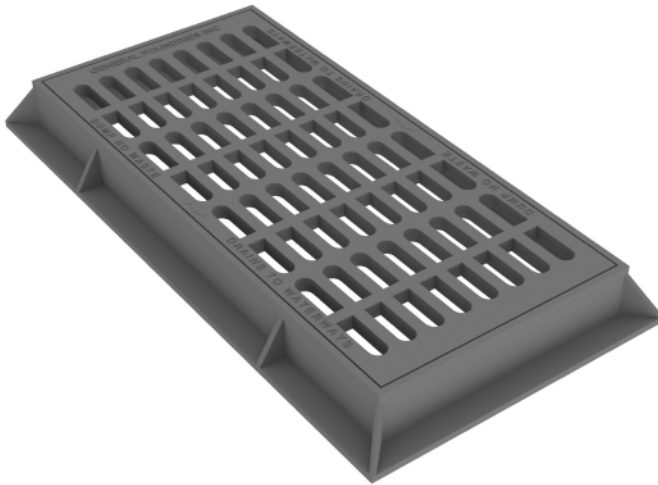


Heavy Duty, Built Up Type Frame, Bike Safe Grate

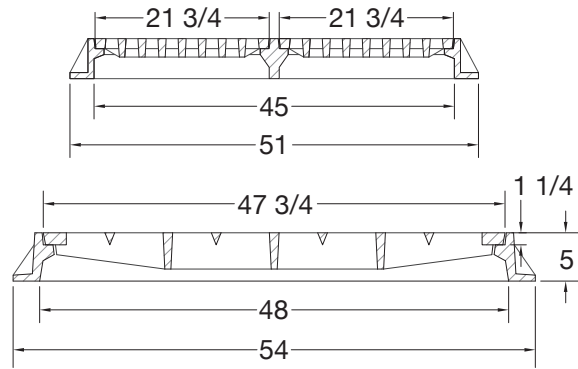
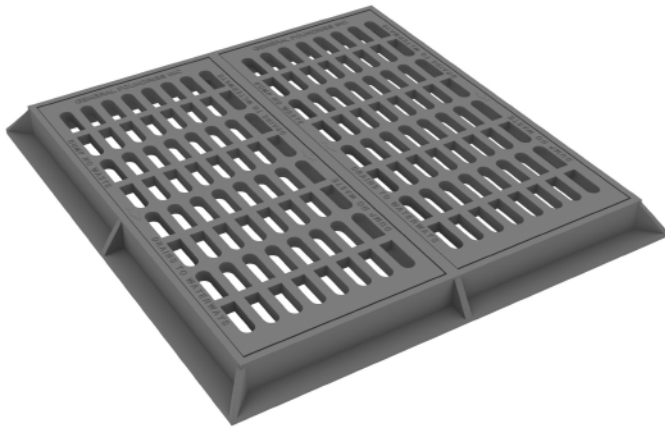


PRODUCT NO.	GRATE DIMENSION		FRAME HEIGHT	INNER FLANGE DIMENSION		OUTER FLANGE DIMENSION		GRATE THICKNESS
	C	CC	D	F	FF	G	GG	H
23404	20-1/2	34-1/8	4	22	32-3/4	28	41-1/4	1-1/4
23405	21-3/4	47-3/4	5	22	48	28	54	1-1/4
23406	21-3/4	35-3/4	5	22	36	28	42	1-1/4
23408	30	49-1/4	5	30-1/4	49-1/2	36	55-1/2	1-1/4
23444	25-3/4	47-3/4	5	26	48	32	54	1-1/4
23449	25-3/4	47-3/4	9	26	48	34	56	1-1/4

**NOTES:**

- Dimensions are approximate & in inches
- Gray Iron, Class 35B
- Conforms to ASTM A48 / A48M-03 specifications



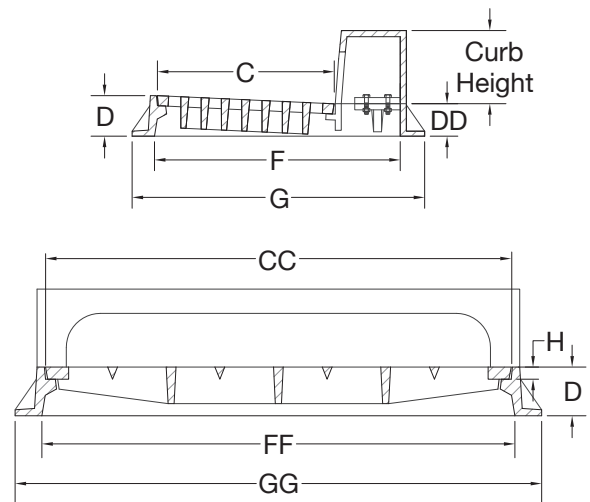
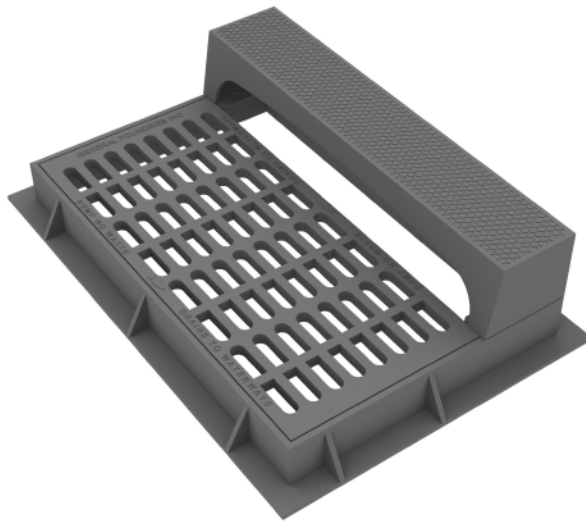


PRODUCT NO.
23425

**NOTES:**

- Dimensions are approximate & in inches
- Gray Iron, Class 35B
- Conforms to ASTM A48 / A48M-03 specifications

Heavy Duty, Built Up Type Frame, Bike Safe Grate

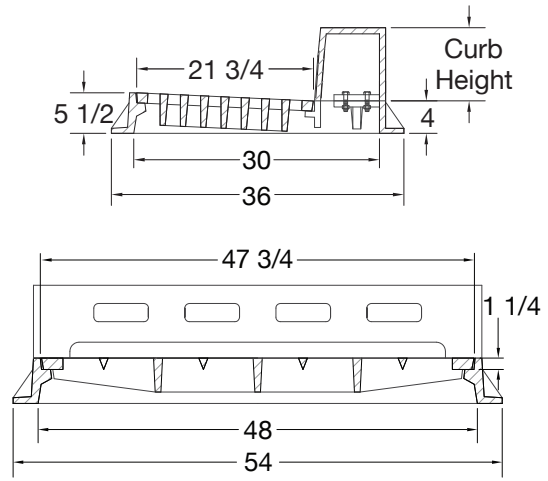


PRODUCT NO.	GRATE DIMENSION		FRAME HEIGHT		INNER FLANGE DIMENSION		OUTER FLANGE DIMENSION		GRATE THK.	CURB HEIGHT
	C	CC	D	DD	F	FF	G	GG		
22633-6R	21-3/4	35-3/4	5-1/2	4	30	36	36	42	1-1/4	6
22633-8R										8
22617-6R	21-3/4	47-3/4	5-1/2	4	30	48	36	54	1-1/4	6
22617-8R										8
22596-6R	25-3/4	47-3/4	5-1/2	4	31	48	37	54	1-1/4	6
22596-8R										8
22639-6R	30	49-1/4	5-1/2	4-1/2	36	49	42	54	1-1/4	6
22639-8R										8

**NOTES:**

- Dimensions are approximate & in inches
- Gray Iron, Class 35B
- Conforms to ASTM A48 / A48M-03 specifications



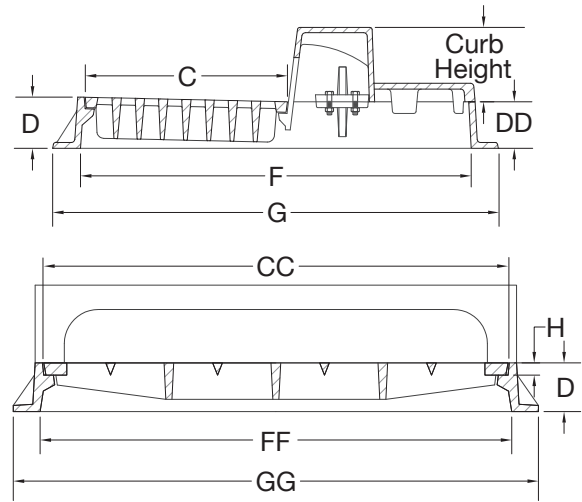
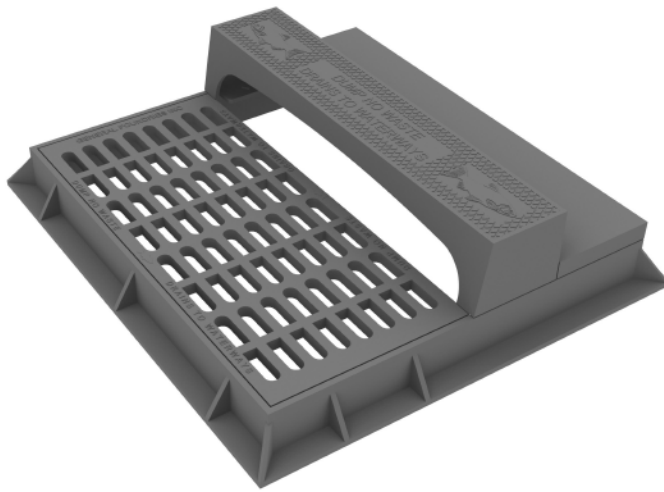


PRODUCT NO.	CURB HEIGHT
22617-6N	6
22617-8N	8

**NOTES:**

- Dimensions are approximate & in inches
- Gray Iron, Class 35B
- Conforms to ASTM A48 / A48M-03 specifications
- Curb meets EPA Guidelines

Heavy Duty, Built Up Type Frame, Bike Safe Grate,  
Curb, Back Plate



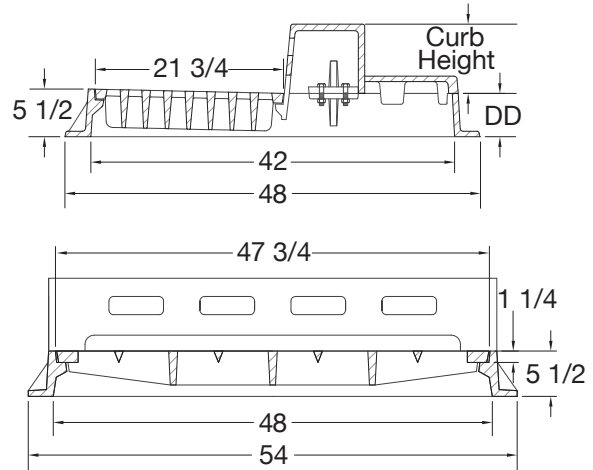
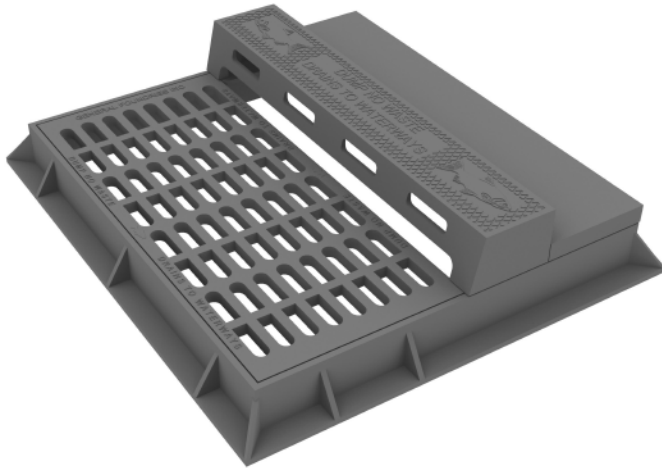
PRODUCT NO.	GRATE DIMENSION		FRAME HEIGHT		INNER FLANGE DIMENSION		OUTER FLANGE DIMENSION		GRATE THK	CURB HEIGHT
	C	CC	D	DD	F	FF	G	GG		
22618-6R	21-3/4	47-3/4	5-1/2	5	42	48	48	54	1-1/4	6
22618-8R										8
22694-6R	25-3/4	47-3/4	5-1/2	5	42	48	48	54	1-1/4	6
22694-8R										8

**NOTES:**

- Dimensions are approximate & in inches
- Gray Iron, Class 35B
- Conforms to ASTM A48 / A48M-03 specifications



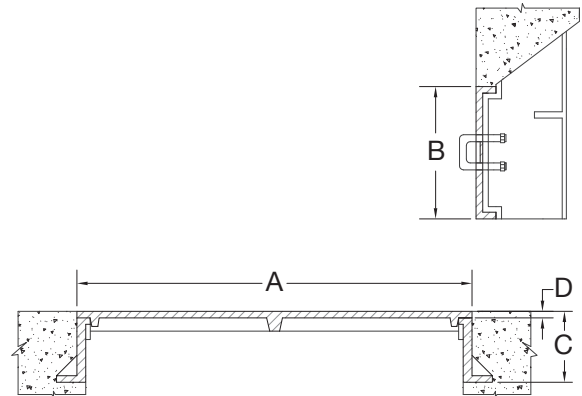
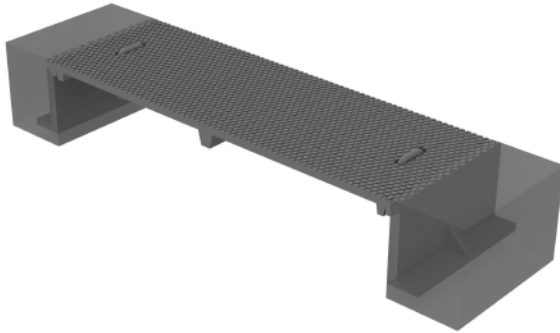
Heavy Duty, Built Up Type Frame, Bike Safe Grate,  
N-Style Curb (Meets EPA Guidelines), Back Plate



PRODUCT NO.	CURB HEIGHT
22618-6N	6
22618-8N	8

**NOTES:**

- Dimensions are approximate & in inches
- Gray Iron, Class 35B
- Conforms to ASTM A48 / A48M-03 specifications



PRODUCT NO.	A	B	C	D
24051	51	12-3/4	15	3/4
24063	63	12-3/4	15	3/4

**NOTES:**

- Dimensions are approximate & in inches
- Gray Iron, Class 35B
- Conforms to ASTM A48 / A48M-03 specifications

